

RECESSED MULTI PURPOSE UNIT



MULTI-PURPOSE 130

- Multi-purpose 3-in-1 unit: mirror of polished stainless steel (in architectural bright finish), towel dispenser and soap dispenser

- Satin finish stainless steel

Overall Dimensions
435mm W x 778mm H x 102mm D

CONSTRUCTION:

FLANGE: Fabricated of type 304 (18-8), 22 gauge stainless steel with exposed surfaces in architectural satin finish. One piece seamless construction, 25mm wide with 7mm return.

CABINET: Fabricated of type 304 (18-8), 26 gauge stainless steel.

DOOR: Fabricated of type 304 (18-8), 22 gauge stainless steel, with heavy duty full length piano hinge and tumbler lock.

MIRROR: Fabricated of type 304 (18-8), stainless steel, polished to No. 8 architectural bright finish. Very bright - excellent reflectivity, very slight polish grain.

TOWEL DISPENSER: Fabricated of type 304 (18-8), 22 gauge stainless steel.

EXTERIOR SHELF: Fabricated of type 304 (18-8), 22 gauge stainless steel.

SOAP DISPENSER: Fabricated of type 304 (18-8), 22 gauge stainless steel with tumbler lock. Soap valve has chrome-plated brass housing with ABS plastic mechanism and internal checks to prevent leakage.

LOCKS: Door and soap dispenser keyed as other Bradley units.

CAPACITY:

Towel Dispenser - takes Bradley Model 2001 paper hand towels.

Soap Dispenser - 3 litres liquid soap Bradley Model PB609.

OPERATION:

Towel dispenser holds paper hand towels without use of special adaptor.

Soap dispenser slides open for filling and cleaning. Sight window indicates refill time. Valve dispenses measured amount of liquid soap.

INSTALLATION:

Recessed unit requires Rough Wall Opening 390mm W x 733mm H x 105 D.

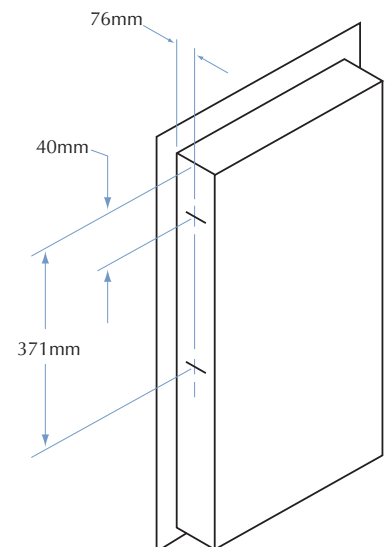
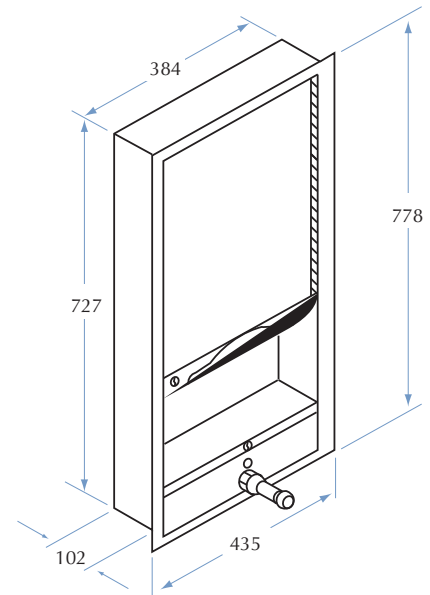
Secure with mounting screws included at holes provided.

GUIDE SPECIFICATION:

Recessed multi-purpose unit consisting of architectural bright finish stainless steel mirror, towel dispenser, soap dispenser and shelf, shall be fabricated of type 304 (18-8), stainless steel with exposed surfaces in satin finish.

MODEL 130

Options:
130-11 Surface Mounted



TOLL FREE 1300 364 561

The manufacturer reserves the right to make changes in design and material without formal notice and without incurring obligation.

Bradley
AUSTRALIA.COM