

## RECESSED MULTI PURPOSE UNIT

# MODEL 194



### MULTI-PURPOSE 194

- Combination 2-in-1 unit:  
Towel and soap dispenser
- Satin finish stainless steel
- For installation behind wall or mirror

Overall Dimensions  
435mm W x 791mm H x 102mm D

### CONSTRUCTION:

**CABINET:** Fabricated of type 304 (18-8), 26 gauge stainless steel.

**FLANGE:** Fabricated of type 304 (18-8), 22 gauge stainless steel with exposed surfaces in architectural satin finish. One piece seamless construction, 25mm wide with bevelled edges.

**TOWEL TRAY:** Fabricated of type 304 (18-8), 22 gauge stainless steel.

**TOWEL DISPENSER:** Fabricated of type 304 (18-8), 22 gauge stainless steel piano hinge and tumbler lock. Rolled edge on dispenser opening.

**EXTERIOR SHELF:** Fabricated of type 304 (18-8), 22 gauge stainless steel.

**SOAP DISPENSER:** Fabricated of type 304 (18-8), 22 gauge stainless steel with tumbler lock. Soap valve has chrome-plated brass housing with ABS plastic mechanism and integral checks to prevent leakage.

**LOCKS:** On towel and soap dispensers keyed as other Bradley units.

### CAPACITY:

Towel Dispenser - takes Bradley Model 2001 paper hand towels.

Soap Dispenser - 2.5 litres of liquid soap Bradley Model PB609.

### OPERATION:

Lock secures hinged towel dispenser lip which opens for refilling from base.

Towel dispenser holds paper hand towels without use of special adaptor.

Soap dispenser slides open for filling and cleaning. Sight gauge indicates refill time. Valve dispenses measured amount of liquid soap.

### INSTALLATION:

Requires Rough Wall Opening 390mm W x 770mm H x 105mm D.

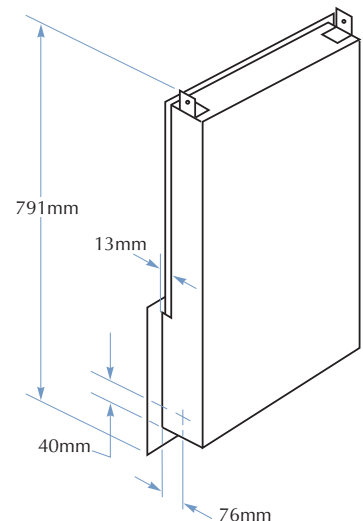
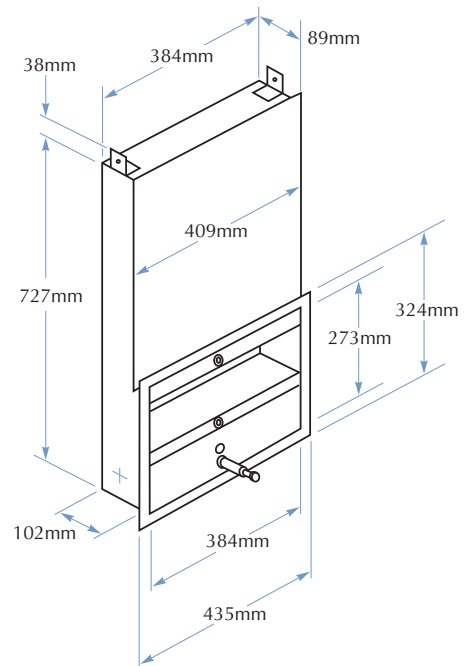
Install cabinet prior to installation of wall surface or mirror.

Secure to framing with mounting screws at holes provided.

### GUIDE SPECIFICATION:

Recessed multi-purpose unit (for behind wall or mirror installation) consisting of recessed towel dispenser, shelf and liquid soap dispenser shall be fabricated of type 304 (18-8), stainless steel with exposed surfaces in satin finish.

Towel dispenser with piano hinge and tumbler lock.



TOLL FREE 1300 364 561

The manufacturer reserves the right to make changes in design and material without formal notice and without incurring obligation.

**Bradley**  
AUSTRALIA.COM