

RECESSED MULTI-PURPOSE UNIT

MODEL 1981



MULTI-PURPOSE 1981

- Towel dispenser
- Satin finish stainless steel
- For behind wall or mirror installation

Overall Dimensions
305mm W x 533mm H x 101mm D

CONSTRUCTION:

CABINET: Fabricated of type 304 (18-8), 22 gauge stainless steel.

TOWEL TRAY: Fabricated of type 304 (18-8), 22 gauge stainless steel.

TOWEL DISPENSER: Fabricated of type 304 (18-8), 22 gauge stainless steel piano hinge and tumbler lock keyed as other Bradley units. Rolled edge on dispenser opening.

CAPACITY:

Towel Dispenser - holds Bradley Model 2001 paper hand towels.

OPERATION:

Towel dispenser holds paper towels without the use of special adaptors. Lock secures hinged towel dispenser lip which opens for refilling from base.

INSTALLATION:

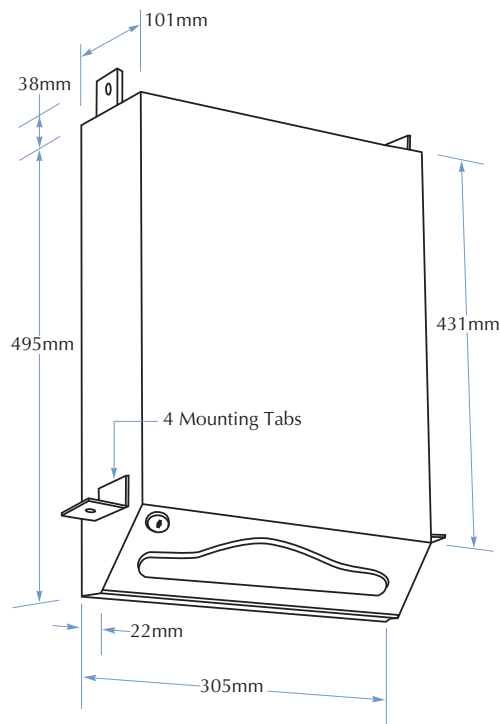
Requires Rough Wall Opening 315mm W x 470mm H x 105mm D.

Install cabinet prior to installation of wall surface or mirror.

Secure to framing with mounting screws at holes provided.

GUIDE SPECIFICATION:

Recessed towel dispenser (for behind wall or mirror installation) shall be fabricated of type 304 (18-8) stainless steel with exposed surfaces in satin finish. Towel dispenser with piano hinge and tumbler lock.



TOLL FREE 1300 364 561

The manufacturer reserves the right to make changes in design and material without formal notice and without incurring obligation.

Bradley
AUSTRALIA.COM