

## WALL MOUNTED UNIT



### AUTOMATIC HAND DRYER 220-250A

- Stainless steel finish
- 240v, 2500w, 11.50 amp
- Ideal for mid to high volume public washrooms

Overall Dimensions  
270mm W x 240mm H x 142mm D

### CONSTRUCTION:

**OUTER CASE:** Manufactured of type 304 stainless steel, 2mm thick, featuring vandal resistant key.

**MOTOR:** Long-life energy saver.

### ELECTRICAL SPECIFICATIONS:

**ELECTRICAL SUPPLY:** 240V / 50Hz / 10.0A  
**MOTOR:** 250W / 8200rpm  
**ELEMENT:** 2250W / 140°C / 15A/250V  
**AIR VELOCITY:** 30m/sec  
**NOISE LEVEL:** 85db  
**NETT WEIGHT:** 5.2kg  
**PROTECTION CATEGORY:** IPX1

### RECOMMENDED INSTALLATION HEIGHT

Men's Washroom	1200mm
Women's Washroom	1150mm
Children's Washroom (ages 11-15)	1110mm
Children's Washroom (ages 5-10)	850mm
Disabled Person's Washroom	1000mm

### OPERATION:

Activation by infra-red (touch free) sensor.

### INSTALLATION:

Requires 15 amp power supply. Secure to wall through back-plate with mounting screws provided.

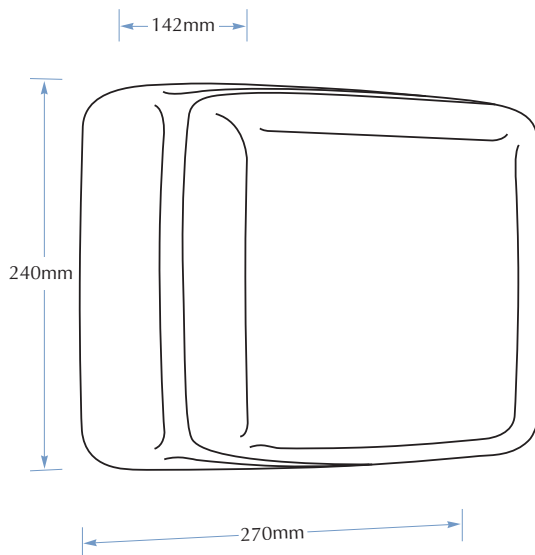
### GUIDE SPECIFICATION:

Surface mounted automatic hand dryer shall be fabricated of type 304 stainless steel, 2mm thick, featuring vandal-resistant key and concealed nozzle. Motor long-life energy saver. 10 to 15 seconds drying time.

## MODEL 220-250A

Options:

220-250AW White Powdercoat



TOLL FREE 1300 364 561

The manufacturer reserves the right to make changes in design and material without formal notice and without incurring obligation.

**Bradley**  
AUSTRALIA.COM