

## RECESSED TOWEL DISPENSER



### RETRO SERIES 244

- Towel dispenser
- Satin finish stainless steel

Overall Dimensions  
356mm W x 711mm H x 102mm D

### CONSTRUCTION:

**CABINET:** Fabricated of type 304 (18-8), heavy gauge stainless steel. All welded construction,

**FLANGE:** Fabricated of type 304 (18-8), 22 gauge stainless steel with exposed surfaces in architectural satin finish. One piece seamless construction, 25mm wide with 7mm return.

**DOOR:** Fabricated of type 304 (18-8), 18 gauge stainless steel. Warp resistant, with full length piano hinge and tumbler lock keyed as other Bradley units.

**TOWEL DISPENSER:** Fabricated of type 304 (18-8), 22 gauge stainless steel. Rolled edge on dispenser opening.

### CAPACITY:

Towel Dispenser - holds Bradley Model 2001 paper hand towels.

### OPERATION:

Towel dispenser holds paper hand towels without use of special adaptor.

### INSTALLATION:

Recessed unit requires Rough Wall Opening 675mm H x 315mm W x 100mm D. (Semi-recessed unit only 51mm deep.) Secure to framing with mounting screws (included) at holes provided. Shim at screw points as required.

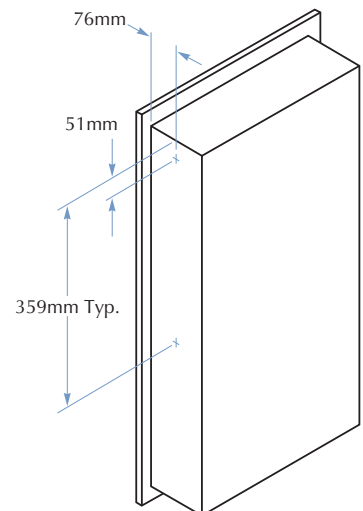
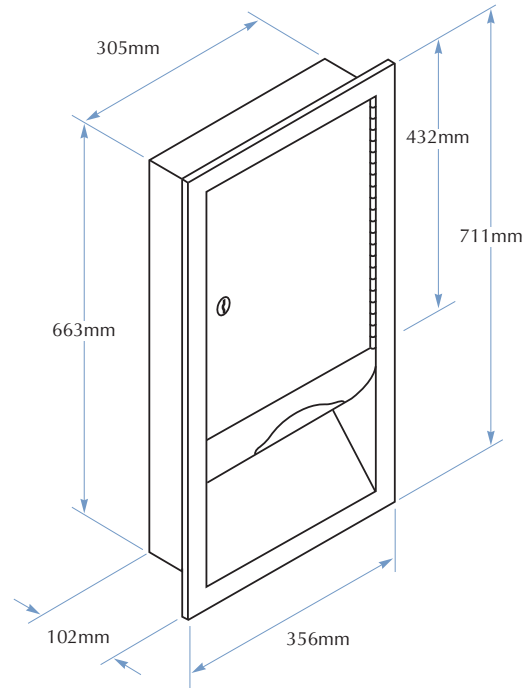
### GUIDE SPECIFICATION:

Recessed paper towel dispenser shall be fabricated of type 304 (18-8), stainless steel with exposed surfaces in satin finish. Door with full length piano hinge and secured by tumbler lock.

## MODEL 244

Options:

- 244-10 Semi-Recessed
- 244-11 Surface Mounted



TOLL FREE 1300 364 561

The manufacturer reserves the right to make changes in design and material without formal notice and without incurring obligation.

**Bradley**  
AUSTRALIA.COM