

RECESSED UNIT



CONTEMPORARY SERIES 2447

- Towel dispenser
- Satin finish stainless steel
- Tumbler lock

Overall Dimensions
362mm W x 716mm H x 105mm D

MODEL 2447

Options:
2447-10 Semi Recessed
2447-11 Surface Mounted

CONSTRUCTION:

CABINET: Fabricated of type 304 (18-8) heavy gauge stainless steel with exposed surfaces in architectural satin finish. Welded construction with seamless corners and burr-free edges.

DOOR: Fabricated of type 304 (18-8), 22 gauge stainless steel with full length piano hinge and tumbler lock keyed as other Bradley units.

TOWEL DISPENSER: Fabricated of type 304 (18-8) 22 gauge stainless steel. Rolled edge on dispenser opening.

CAPACITY:

Towel Dispenser - holds Bradley Model 2001 paper hand towels.

OPERATION:

Unit holds paper hand towels without the use of special adaptors.

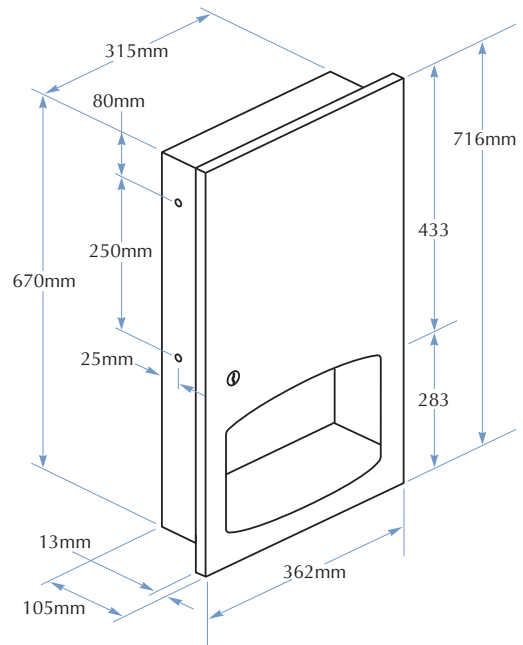
INSTALLATION:

Recessed unit requires Rough Wall Opening 320mm W x 675mm H x 100mm D (semi-recessed unit only 42mm deep).

Secure to framing with mounting screws at holes provided.

GUIDE SPECIFICATION:

Recessed paper towel dispenser shall be fabricated of heavy gauge type 304 (18-8) stainless steel with exposed surfaces in architectural satin finish. Cabinet door of 22 gauge stainless steel with full length concealed piano hinge and secured by tumbler lock.



TOLL FREE 1300 364 561

The manufacturer reserves the right to make changes in design and material without formal notice and without incurring obligation.

Bradley
AUSTRALIA.COM