

TECHNICAL DATA SHEET

SURFACE MOUNTED UNIT



CONTEMPORARY SERIES 252

- Towel dispenser
- Satin finish stainless steel
- Tumbler lock

Overall Dimensions
280mm W x 210mm H x 100mm D

MODEL 252

Options:

252 Satin Finish Stainless Steel
252-33 White Powdercoat

CONSTRUCTION:

Unit fabricated of type 304 (18-8), 22 gauge stainless steel with exposed surfaces in architectural satin finish. Smooth corners, free of burrs and sharp edges. Tumbler lock. Cabinet hinged at the base to allow easy filling. Refill indicator slot on face of cabinet. Rolled edge on dispenser opening.

CAPACITY:

350 multi-fold or 200 C-fold paper towels.

OPERATION:

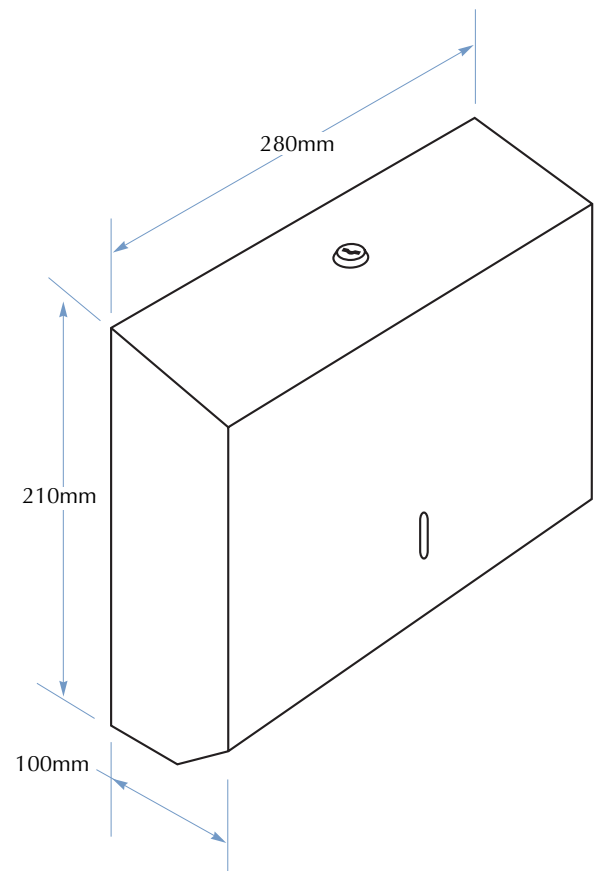
Unit holds multi-fold or C-fold towels without use of special adaptors.

INSTALLATION:

Secure to wall with mounting screws (included) at holes provided.

GUIDE SPECIFICATION:

Surface mounted paper towel dispenser shall be fabricated of type 304 (18-8), 22 gauge stainless steel with exposed surfaces in architectural satin finish. Refill indicator on face of cabinet. Tumbler lock to secure hinged front panel.



TOLL FREE 1300 364 561

The manufacturer reserves the right to make changes in design and material without formal notice and without incurring obligation.

Bradley
AUSTRALIA.COM