

TECHNICAL DATA SHEET

SURFACE MOUNTED UNIT



CONTEMPORARY SERIES 255-33

- Towel dispenser
- White powdercoat finish
- Tumbler lock

Overall Dimensions
255mm W x 330mm H x 75mm D

MODEL 255-33

Options:

- 255-33 White Powdercoat
- 255-15 Satin Finish Stainless Steel

CONSTRUCTION:

Unit is fabricated of 22 gauge zinc seal sheet powdercoated white enamel. Smooth corners, free of burrs and sharp edges. Tumbler lock. Cabinet hinged at the base to allow easy filling. Refill indicator slot on face of unit. Rolled edge on dispenser opening.

CAPACITY:

300 Slimline interleaved paper towels - Model E2424 -
2 standard packs x 150 towels.

OPERATION:

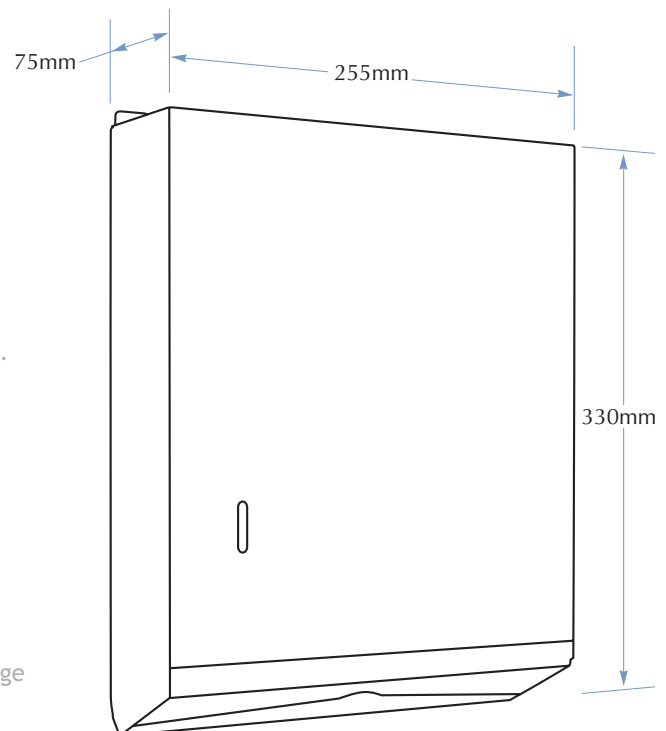
Unit holds Slimline interleaved towel without use of special adaptors.

INSTALLATION:

Secure to wall with mounting screws (included) at holes provided.

GUIDE SPECIFICATION:

Surface mounted paper towel dispenser shall be fabricated of 22 gauge zinc seal sheet with exposed surfaces in powdercoated white enamel finish. Refill indicator on face of cabinet. Tumbler lock to secure hinged front panel. Towel dispenser capacity 300 Slimline interleaved towels.



TOLL FREE 1300 364 561

The manufacturer reserves the right to make changes in design and material without formal notice and without incurring obligation.

Bradley
AUSTRALIA.COM