

SURFACE MOUNTED UNIT



CONTEMPORARY SERIES 258-15

- Towel dispenser
- Satin finish stainless steel
- Tumbler lock

Overall Dimensions
230mm W x 200mm H x 215mm D

CONSTRUCTION:

Unit fabricated of type 304 (18-8), 22 (0.7) gauge stainless steel with exposed surfaces in architectural satin finish. Smooth corners, free of burrs and sharp edges. Tumbler lock. Unit is fixed closed with ball and catch. Cabinet hinged at the base to allow easy filling. Rolled edge on dispenser opening.

CAPACITY:

Standard 80m roll - 190mm W x 145mm diameter. Bradley Model E8016.

OPERATION:

Removable spindle holds roll secure without use of any special adaptors. Push unit toward wall to fix ball and catch.

INSTALLATION:

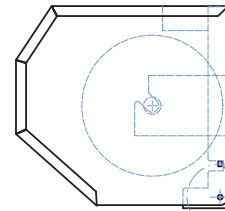
Secure to wall with mounting screws (included) at holes provided.

GUIDE SPECIFICATION:

Surface mounted roll towel dispenser shall be fabricated of type 304 (18-8), 22 (0.7) gauge stainless steel with exposed surfaces in architectural satin finish. Smooth corners and burr free edges. Unit is fixed closed with ball and catch. Roll towel dispenser capacity one standard 80 metre roll.

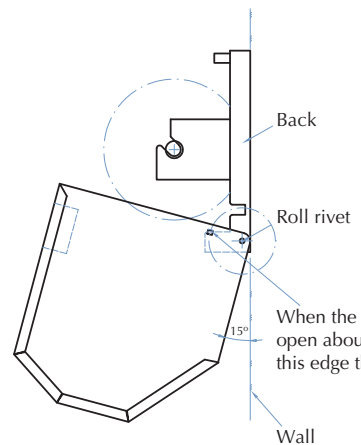
MODEL 258-15

Options:
258-33 White Powdercoat

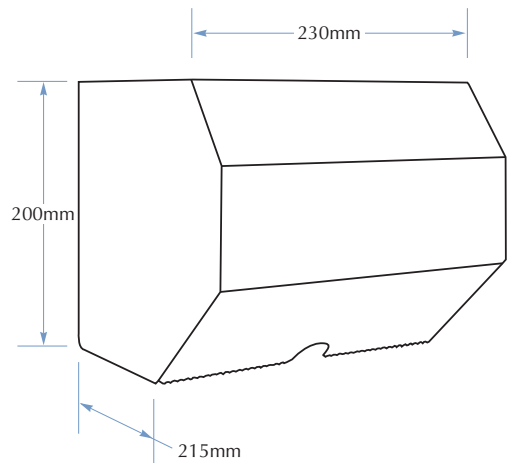


PICTURE 1

Adding the punch hole edges on the left and right sides of the cover



PICTURE 2



TOLL FREE 1300 364 561

The manufacturer reserves the right to make changes in design and material without formal notice and without incurring obligation.

Bradley
AUSTRALIA.COM