

TECHNICAL DATA SHEET

FREESTANDING WASTE RECEPTACLE



MODEL 377

- 50/80/135 litre capacity options

- Satin finish stainless steel

Overall Dimensions: Refer chart below

MODEL 377

Options:

377 - 50 Litre Capacity

377-36 - 80 Litre Capacity

377-38 - 135 Litre Capacity

CONSTRUCTION:

UNIT: Fabricated of heavy gauge stainless steel with exposed surfaces in architectural satin finish. Equipped with vinyl wall bumper strip and rubber feet.

TOP: Fabricated of heavy gauge stainless steel. Swing door is counterbalanced for easy operation.

CAPACITY:

Model 377: 50 litres (13 gal./1.8 cu. ft.)

Model 377-36: 80 litres (21 gal./2.9 cu. ft.)

Model 377-38: 135 litres (36 gal./4.9 cu. ft.)

OPERATION:

Top lifts off to allow easy removal of liner.

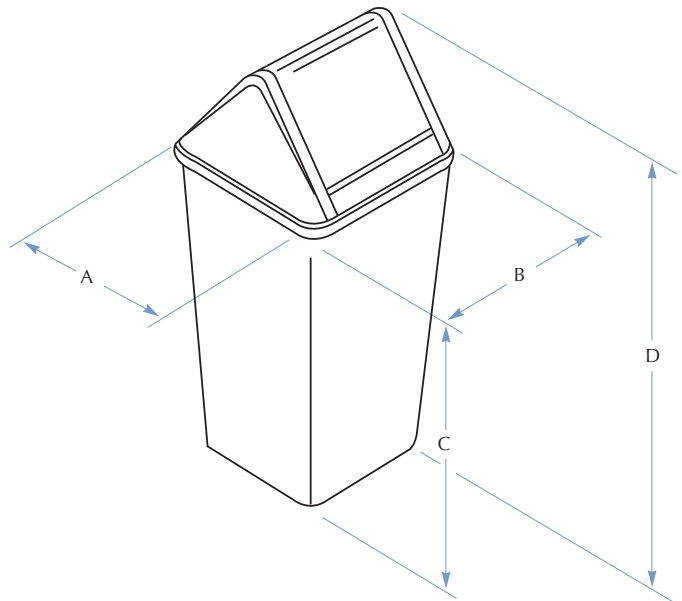
INSTALLATION:

Freestanding unit requires no fasteners.

GUIDE SPECIFICATION:

Freestanding waste receptacle shall be fabricated of heavy gauge stainless steel with exposed surfaces in satin finish.

Swing top allows access from two sides.



MODEL NO.	DIM A & B	DIM C	DIM D
377	330mm	559mm	737mm
377-36	381mm	762mm	965mm
377-38	483mm	737mm	991mm

TOLL FREE 1300 364 561

The manufacturer reserves the right to make changes in design and material without formal notice and without incurring obligation.

Bradley
AUSTRALIA.COM