

PARTITION MOUNTED NAPKIN DISPOSAL UNIT

MODEL 4721-15



NAPKIN DISPOSAL 4721-15

- Serves two compartments
- Satin finish stainless steel

Overall Dimensions
324mm W x 435mm H x 102mm D

CONSTRUCTION:

CABINET: Fabricated of type 304 (18-8), 22 gauge stainless steel. All welded construction with one flange welded to cabinet.

FLANGE: Fabricated of type 304 (18-8), 22 gauge stainless steel with exposed surfaces in architectural satin finish. One piece seamless construction, 25mm wide with 7mm return.

WASTE RECEPTACLE: Fabricated of type 304 (18-8), 22 gauge stainless steel with tumbler locks keyed as other Bradley units.

PUSH FLAP DOOR: Fabricated of type 304 (18-8), 22 gauge stainless steel with exposed surfaces in architectural satin finish. Heavy duty stainless steel piano hinge. Self-closing flap door.

CAPACITY:

5.7 litres (1.5 gal./ .2 cu. ft.)

OPERATION:

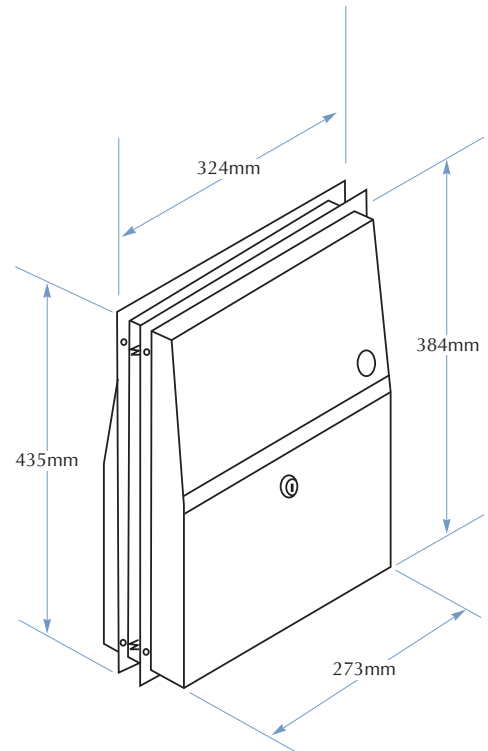
Waste container removable from one side with finger grip. Furnished with waxed paper liner. Additional liners available from Bradley Australia.

INSTALLATION:

Requires partition opening 280mm W x 391mm H. Top of partition opening 762mm above finished floor. Location of hole and dimensions should be noted in partition specifications. Flange adjustable for partitions from 1/2" to 1-1/4" thick. Secure unit to partition with mounting screws (included) at holes provided. NOTE: If used with an odd number of toilet compartments, use one Bradley Model 4722-15 napkin disposal on side wall of end compartment.

GUIDE SPECIFICATION:

Partition mounted dual napkin disposal shall serve two toilet compartments and be fabricated of type 304 (18-8), 22 gauge stainless steel with exposed surfaces in satin finish and burr-free bevelled edges. Two self-closing push flap doors. Stainless steel receptacle with tumbler locks, removable from one side only.



TOLL FREE 1300 364 561

The manufacturer reserves the right to make changes in design and material without formal notice and without incurring obligation.

Bradley
AUSTRALIA.COM