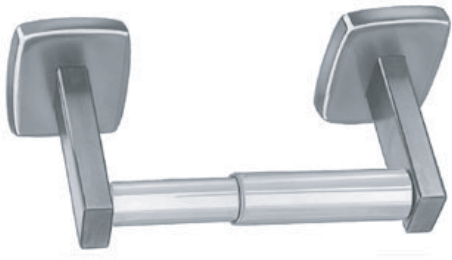


TECHNICAL DATA SHEET

TOILET TISSUE DISPENSER



MODEL 5085

- Bright finish
- Non-controlled delivery
- Single roll

Overall Dimensions
197mm W x 51mm H x 92mm D

CONSTRUCTION:

POSTS: Fabricated of type 304 (18-8), 22 gauge stainless steel with exposed surfaces in architectural bright finish.

ESCUTCHEONS: Fabricated of type 304 (18-8), heavy gauge stainless steel with exposed surfaces in architectural bright finish.

MOUNTING BRACKET: Fabricated of type 304 (18-8), 18 gauge stainless steel.

SPINDLE: Fabricated of chrome-plated plastic.

CAPACITY:

Holds one standard core toilet tissue roll.

OPERATION:

Concealed spring permits spindle to telescope for servicing.

Spindle turns freely for non-controlled delivery.

INSTALLATION:

Secure concealed wall mounting brackets to wall with screws (included) at holes provided. Mount projecting arms and escutcheons to bracket and secure with concealed locking screw. Snap escutcheons into place.

GUIDE SPECIFICATION:

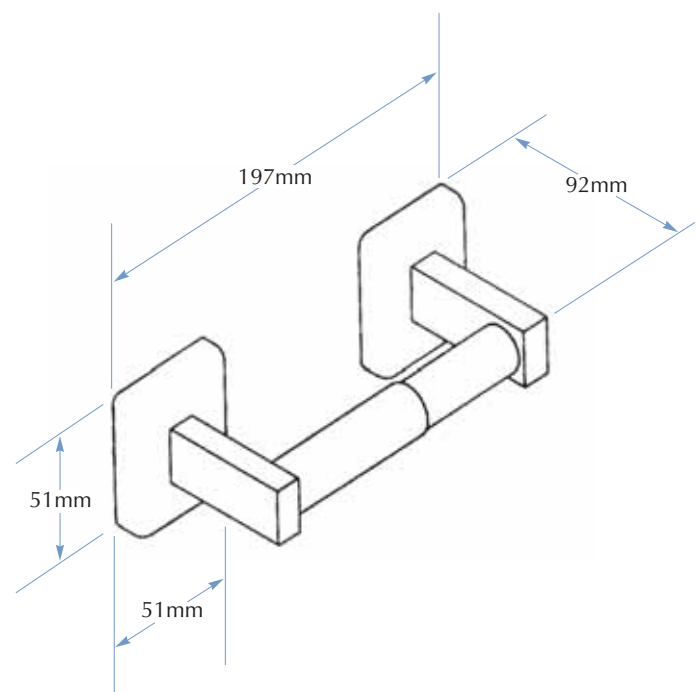
Surface mounted single roll toilet tissue dispenser shall be heavy gauge stainless steel bright polish finish and hold one standard core toilet tissue roll.

MODEL 5085

Options:

5084 Satin Finish Toilet Roll Holder

5085 Bright Finish Toilet Roll Holder



TOLL FREE 1300 364 561

The manufacturer reserves the right to make changes in design and material without formal notice and without incurring obligation.

Bradley
AUSTRALIA.COM