

TECHNICAL DATA SHEET

RECESSED TOILET TISSUE DISPENSER



MODEL 5103

- Bright polished
- Non-controlled delivery
- Single roll with hinged hood

Overall Dimensions
160mm W x 160mm H x 48mm D

MODEL 5103

Options:

- 5103 Single Toilet Roll Holder
- 5123 Double Toilet Roll Holder

CONSTRUCTION:

HOUSING AND HOOD: Fabricated of one piece deep drawn bright polished stainless steel.

BRACKETS: Fabricated of chrome plated zinc.

SPINDLE: Fabricated of chrome-plated plastic.

CAPACITY:

Holds one standard core toilet tissue roll.

OPERATION:

Concealed spring permits spindle to telescope for servicing.

Spindle turns freely for non-controlled delivery. Hinged hood prevents unintentional unravelling while keeping top tissue surface clean.

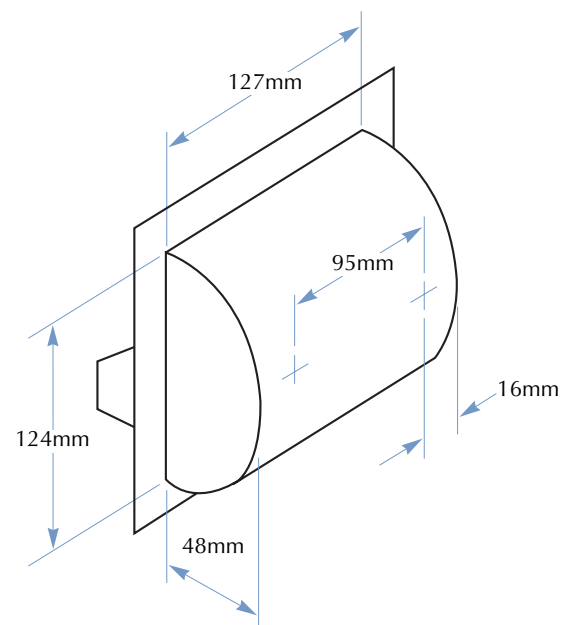
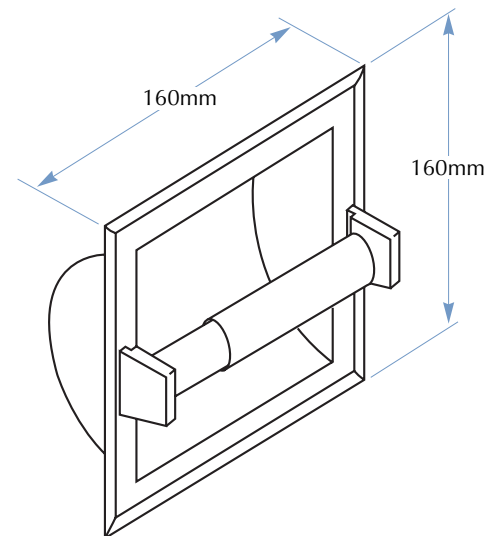
INSTALLATION:

Requires rough wall opening 128mm W x 125mm H x 48mm D.

Secure to framing with appropriate anchoring devices at holes provided.

GUIDE SPECIFICATION:

Recessed single roll toilet tissue dispenser with hinged hood shall be bright polished stainless steel and chrome plated zinc and hold one standard core toilet tissue roll.



TOLL FREE 1300 364 561

The manufacturer reserves the right to make changes in design and material without formal notice and without incurring obligation.

Bradley
AUSTRALIA.COM