

TECHNICAL DATA SHEET

RECESSED TOILET TISSUE DISPENSER



MODEL 5104

- Satin finish
- Non-controlled delivery
- Single roll

Overall Dimensions
162mm W x 162mm H x 51mm D

MODEL 5104

Options:
5102 Bright Finish Toilet Roll Holder
5104 Satin Finish Toilet Roll Holder
-52 Anti-Theft Spindle

CONSTRUCTION:

HOUSING: Fabricated of heavy duty type 304 (18-8), stainless steel with exposed surfaces in architectural satin finish.

SPINDLE: Fabricated of chrome-plated plastic.

CAPACITY:

Holds one standard core toilet tissue roll.

OPERATION:

Concealed spring permits spindle to telescope for servicing.

Spindle turns freely for non-controlled delivery.

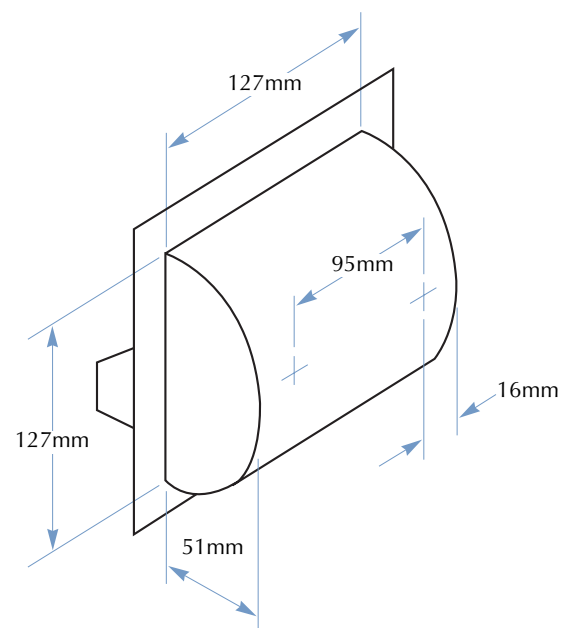
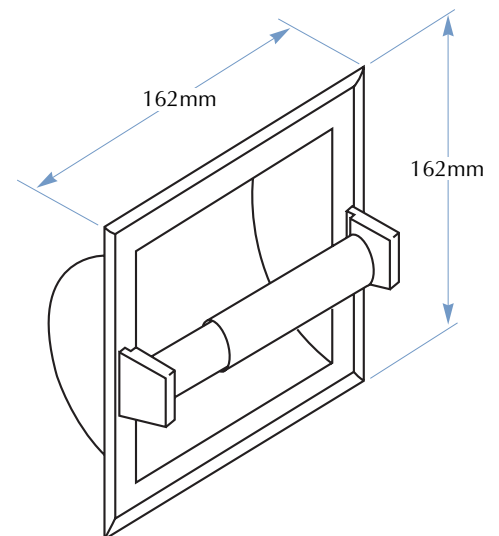
INSTALLATION:

Requires rough wall opening 127mm W x 127mm H x 51mm D.

Secure to framing with mounting screws (included) at holes provided.

GUIDE SPECIFICATION:

Recessed single roll tissue dispenser shall be satin finish stainless steel with projecting brackets of satin finish stainless steel and hold one standard core toilet tissue roll.



TOLL FREE 1300 364 561

The manufacturer reserves the right to make changes in design and material without formal notice and without incurring obligation.

Bradley
AUSTRALIA.COM