

SURFACE MOUNTED TOILET TISSUE DISPENSER



MODEL 5106

- Bright polished
- Non-controlled delivery
- Single roll with hinged hood

Overall Dimensions
162mm W x 162mm H x 51mm D

MODEL 5106

Options:

- 5106 Single Toilet Roll Holder
- 5126 Double Toilet Roll Holder
- 52 Anti-Theft Spindle

CONSTRUCTION:

HOUSING AND HOOD: Fabricated of type 304 (18-8) bright polished stainless steel.

SPINDLE: Fabricated of chrome-plated plastic.

CAPACITY:

Holds one standard core toilet tissue roll.

OPERATION:

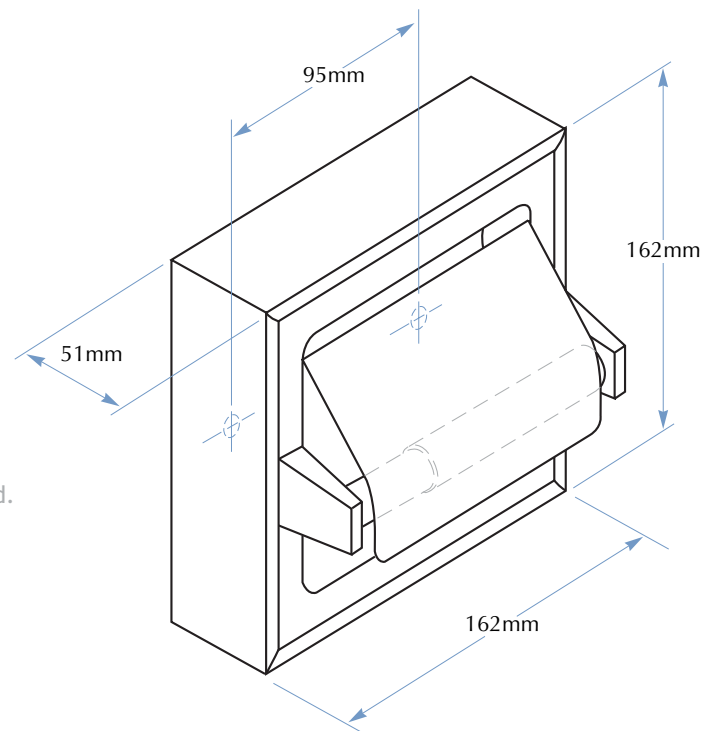
Concealed spring permits spindle to telescope for servicing. Spindle turns freely for non-controlled delivery. Hinged hood prevents unintentional unravelling while keeping top tissue surface clean.

INSTALLATION:

Secure to wall with mounting screws (included) at holes provided.

GUIDE SPECIFICATION:

Surface mounted roll toilet tissue dispenser with hinged hood shall be type 304 bright polished stainless steel and hold one standard core toilet tissue roll.



TOLL FREE 1300 364 561

The manufacturer reserves the right to make changes in design and material without formal notice and without incurring obligation.

Bradley
AUSTRALIA.COM