

TECHNICAL DATA SHEET

SURFACE MOUNTED SINGLE JUMBO TOILET TISSUE DISPENSER



JUMBO 5424

- Satin finish stainless steel

Overall Dimensions
265mm W x 270mm H x 120mm D

CONSTRUCTION:

CABINET & MOUNTING PLATE: Fabricated of heavy-gauge satin finish stainless steel.

DOOR: Fabricated of heavy-gauge satin finish stainless steel. Drawn one-piece construction. Furnished with tumbler lock and refill-indicator viewing slots.

CAPACITY:

Cabinet holds one 240mm diameter roll of 75mm core Jumbo tissue - Bradley Model 5005 2 ply x 300 metre roll.

OPERATION:

Refill indicator slot reveals tissue level. Tumbler-locked door swings down to replenish Jumbo tissue roll.

INSTALLATION:

Secure unit to wall or toilet partition with screws (included) through mounting holes.

GUIDE SPECIFICATION:

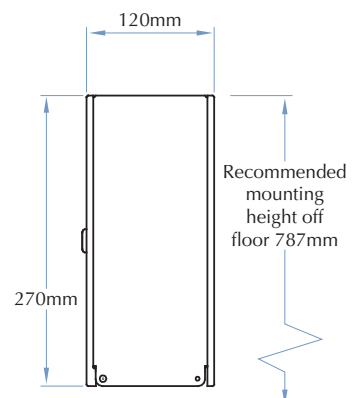
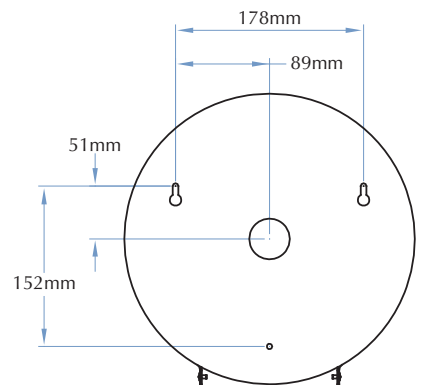
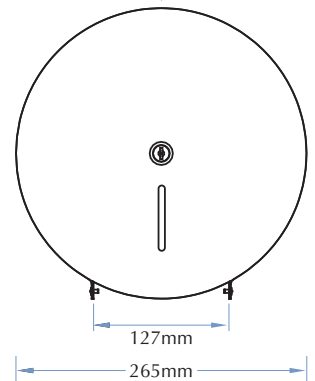
Jumbo toilet tissue roll dispenser shall be heavy gauge satin finish stainless steel. Unit shall dispense one 240mm diameter Jumbo tissue roll with 75mm diameter core. Door shall be secured with a tumbler lock and shall have a refill indicator viewing slot.

MODEL 5424

Options:

5425 Double Jumbo Toilet Roll Holder

Mount within
305mm of front
of toilet seat



TOLL FREE 1300 364 561

The manufacturer reserves the right to make changes in design and material without formal notice and without incurring obligation.

Bradley
AUSTRALIA.COM