

DOUBLE JUMBO TOILET TISSUE DISPENSER

MODEL 5425

Options:

5500 Single Jumbo Toilet Roll Holder



DOUBLE JUMBO 5425

- Satin finish stainless steel

Overall Dimensions
520mm W x 285mm H x 153mm D

CONSTRUCTION:

CABINET & MOUNTING PLATE: Fabricated of type 304 (18-8) 18 gauge stainless steel with exposed surfaces in architectural satin finish. Welded construction with seamless corners and burr-free edges.

DOOR: Fabricated of type 304 (18-8) 18 gauge satin finish stainless steel. Drawn one-piece construction. Furnished with tumbler lock and refill indicator viewing slot.

DISPENSING MECHANISM: Fabricated of chemical and flame retardant ABS.

CAPACITY:

Cabinet holds two 240mm diameter rolls of 75mm core Jumbo tissue - Bradley Model 5005 2 ply x 300 metre roll.

OPERATION:

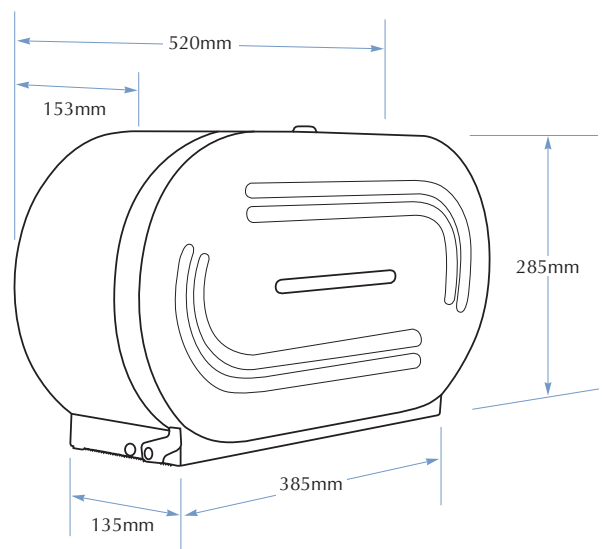
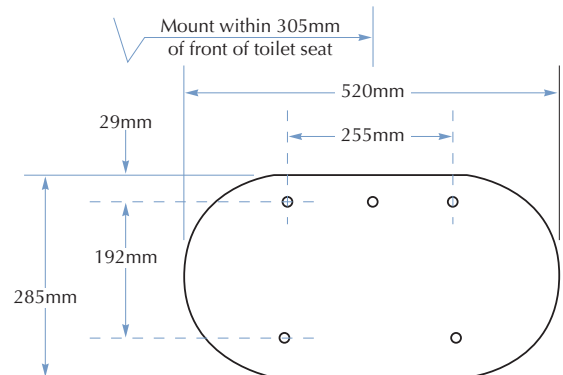
When first roll is depleted, the bottom access panel lever slides to the other side, revealing the second roll. Refill indicator slot reveals tissue level. Tumbler-locked door swings down to replenish jumbo tissue rolls.

INSTALLATION:

Secure unit to wall or toilet partition with five screws (included) through mounting holes provided.

GUIDE SPECIFICATION:

Jumbo toilet roll toilet tissue dispenser shall be 18 gauge satin finish stainless steel. Dispensing mechanism shall be flame and chemical retardant ABS plastic. Unit shall dispense two 240mm diameter jumbo toilet tissue rolls with 75mm diameter core. Unit shall have a sliding access panel to allow dispensing from one jumbo roll at a time. Door shall be secured with a tumbler lock and shall have a refill indicator viewing slot.



TOLL FREE 1300 364 561

The manufacturer reserves the right to make changes in design and material without formal notice and without incurring obligation.

Bradley
AUSTRALIA.COM