

TECHNICAL DATA SHEET

TOILET SEAT COVER DISPENSERS

MODELS 583/5831

Options:

583 Surface Mounted

5831 Recessed



MODEL 583

- Surface mounted
- 500 capacity
- Satin finish

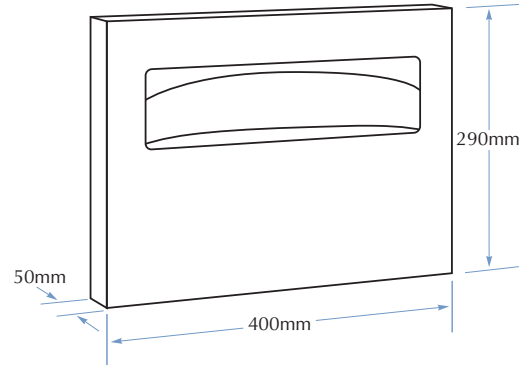
Overall Dimensions
400mm W x 290mm H x 50mm D



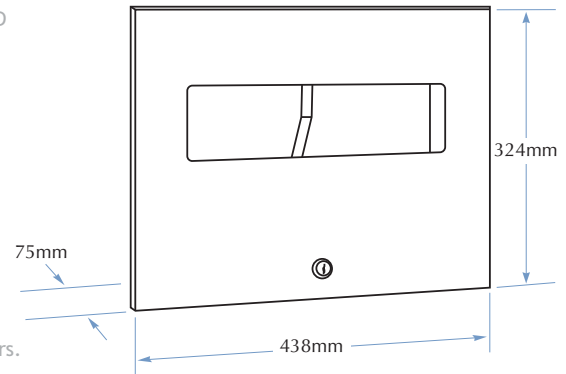
MODEL 5831

- Recessed
- 250 capacity
- Satin finish

Overall Dimensions
438mm W x 324mm H x 75mm D



583 Surface Mounted



5831 Recessed

CONSTRUCTION:

COVER: Fabricated of type 304 (18-8), 22 gauge stainless steel with exposed surfaces in architectural satin finish. Welded construction with burr-free edges, full length piano hinge and tumbler lock keyed as other Bradley units.

BACK: Fabricated of type 304 (18-8), heavy gauge stainless steel.

CAPACITY:

Model 583 holds 500 standard single-fold or half-fold toilet seat covers.

Model 5831 holds 250 standard single-fold or half-fold toilet seat covers.

OPERATION:

Cabinet base hinged for easy filling. Unit has spring clip dispensing mechanism.

INSTALLATION:

Secure to wall or toilet partition with mounting screws (included) at holes provided.

Model 5831 requires Rough Wall Opening 384mm W x 273mm H x 75mm D.

GUIDE SPECIFICATION:

Toilet seat cover dispensers shall be fabricated of type 304 (18-8), 22 gauge stainless steel with exposed surfaces in satin finish with welded construction.

Door with piano hinge and tumbler lock.

TOLL FREE 1300 364 561

The manufacturer reserves the right to make changes in design and material without formal notice and without incurring obligation.

Bradley
AUSTRALIA.COM