

## SURFACE MOUNTED LIQUID SOAP DISPENSER

# MODEL 6112



### SOAP DISPENSER 6112

- Hexagonal front
- Satin finish stainless steel
- 1.2 litre capacity

Overall Dimensions  
187mm W x 167mm H x 100mm D

### CONSTRUCTION:

**BODY:** Fabricated of type 304 (18-8), 20 gauge stainless steel with exposed surfaces in architectural satin finish.

**BACK:** Fabricated of type 304 (18-8), 20 gauge stainless steel. Heliarc welded to the body.

**WALL PLATE:** Fabricated of heavy gauge stainless steel.

**SOAP VALVE:** Chrome plated brass housing with ABS plastic mechanism.

### CAPACITY:

1.2 litres of liquid soap. We recommend Bradley model PB609 liquid soap for optimum operation and performance.

### OPERATION:

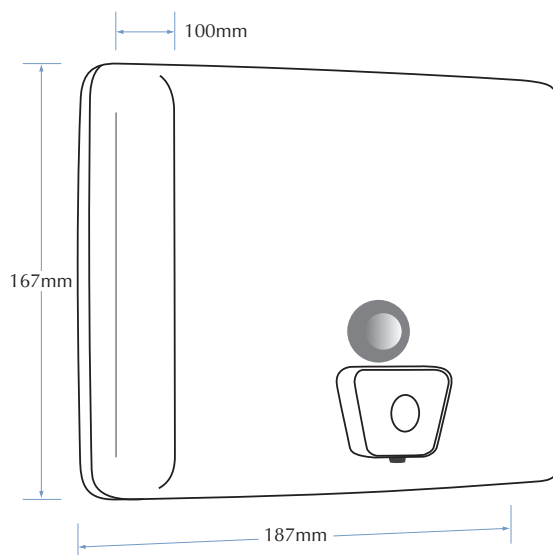
Push-in valve dispenses measured amount of liquid soaps, synthetic detergents and antiseptic solutions. Sight gauge indicates refill time. Locked filler top opens with special key provided.

### INSTALLATION:

Secure separate mounting bracket to wall. Slide dispenser into place and secure locking screw through filler hole.

### GUIDE SPECIFICATION:

Surface mounted liquid soap dispenser shall be fabricated of 20 gauge satin finish stainless steel. Dispenser shall have completely concealed mounting, vandal-resistant filler hole cover and sight gauge. Push-in corrosion-resistant liquid soap valve.



**TOLL FREE 1300 364 561**

The manufacturer reserves the right to make changes in design and material without formal notice and without incurring obligation.

**Bradley**  
AUSTRALIA.COM