

SURFACE MOUNTED TILT MIRROR

MODEL 740

Options:

740-1838 - 450mm W x 950mm H (AS1428)

740-2438 - 600mm W x 950mm H (AS1428)

740-1830 - 450mm W x 750mm H



TILT MIRROR 740

- Fixed tilt
- Welded corners shall be polished to a uniform satin finish
- Mirror has full stainless steel surround
- Mirror glass conforms to AS1288/2006 Australian safety glass standards

Overall Dimensions
AS1428 size is 450mm W x 950mm H
[Model 740-1838] or specify width
and height

CONSTRUCTION:

FRAME: Fabricated of type 304 (18-8), 20 gauge stainless steel, corners heliarc welded and ground smooth to satin finish. 20 gauge angle stiffeners welded to frame provide additional rigidity.

BACK: Fabricated of zinc seal, secured to frame with concealed screws equipped with integral horizontal 304 stainless steel hanging brackets.

MIRROR: Fabricated of first quality 6mm float glass triple silver plated with electro-copper plated layer and thermosetting infrared cured paint backing with Poly-Glaze protective finish. Special webbed backing conforms to AS1288/2006 Australian safety glass standards.

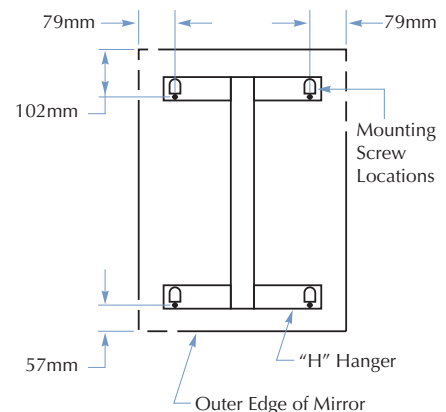
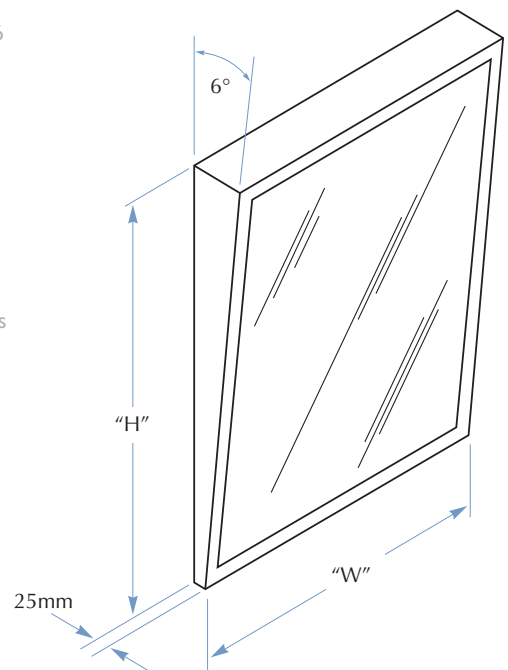
WALL HANGER: Fabricated of 18 gauge cold rolled steel, all welded construction to form rigid template.

INSTALLATION:

Secure concealed mounting bracket to wall with screws (not included) at holes provided. NOTE: Provide in-wall backing at mounting screw locations. Position mirror over mounting bracket to engage hanger tabs. Slide mirror down and lock into position.

GUIDE SPECIFICATION:

Fixed tilt mirror shall be framed with type 304 (18-8), 20 gauge stainless steel with 20 gauge concealed stiffeners. Welded corners shall be polished to a uniform satin finish. Mirror shall be of first quality 6mm float glass with special webbed backing - conforms to AS1288/2006 Australian safety glass standards and protected by a shock absorbing, waterproof foam filler with Poly-Glaze protective finish, equipped with integral horizontal hanging brackets and separate wall hanger for concealed mounting.



TOLL FREE 1300 364 561

The manufacturer reserves the right to make changes in design and material without formal notice and without incurring obligation.

Bradley
AUSTRALIA.COM