

## SURFACE MOUNTED SECURITY TOWEL HOOK

## MODEL SA36

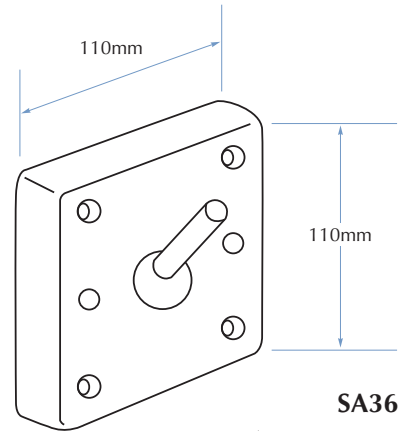
Options:  
SA35 Chase Mounted



### SECURITY TOWEL HOOK SA36

- Satin finish stainless steel

Overall Dimensions  
110mm W x 110mm H  
Projects 57mm

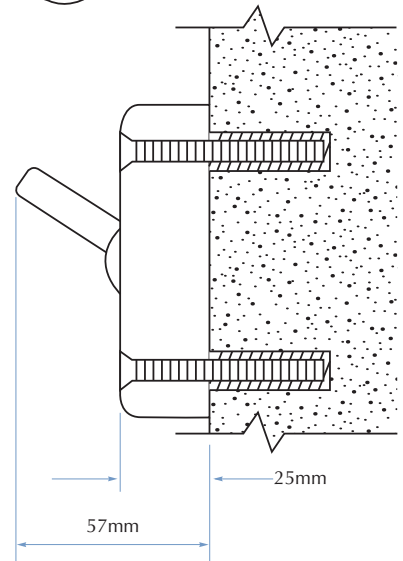


### SECURITY TOWEL HOOK SA35

- Satin finish stainless steel

- Chase mounted

Overall Dimensions  
110mm W x 110mm H  
Projects 57mm



### CONSTRUCTION:

**BACKPLATE:** Fabricated of type 304 (18-8), 14 gauge stainless steel with exposed surfaces in architectural satin finish. All seams are tig welded and ground smooth.

**SAFETY HOOK:** Fabricated of stainless steel with pivoting ball joint that releases when more than 20 lbs. of force is applied.

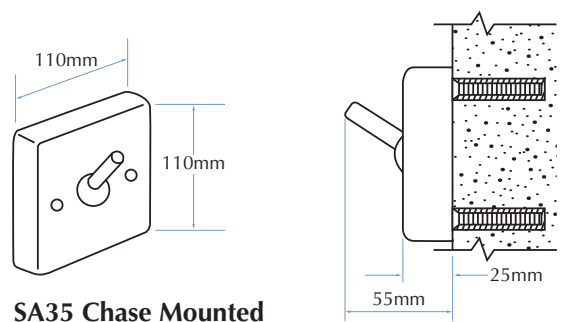
### INSTALLATION:

Unit supplied with 1/4"-20 torx-head screws.

(Anchors not included.)

### GUIDE SPECIFICATION:

Surface mounted security towel hook shall be fabricated of type 304 stainless steel with exposed surfaces in architectural satin finish.



SA35 Chase Mounted

TOLL FREE 1300 364 561

The manufacturer reserves the right to make changes in design and material without formal notice and without incurring obligation.

**Bradley**  
AUSTRALIA.COM