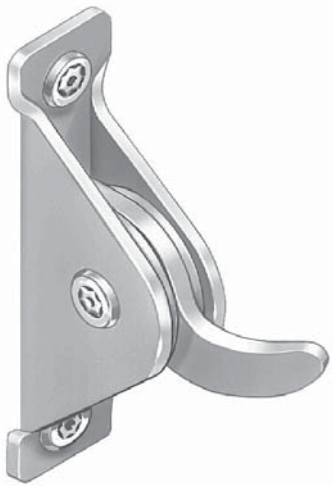


WALL MOUNTED SECURITY TOWEL HOOK



COLLAPSIBLE SECURITY TOWEL HOOK SA37

- Wall mounted
- Single hook
- Heavy duty stainless steel
- Releases under excess weight

Overall Dimensions
25mm W x 109mm H
Projects 76mm

CONSTRUCTION:

SAFETY HOOK: Fabricated of type 304 (18-8), 11 gauge stainless steel bracket with 7 gauge stainless steel hook. Hook is secured to bracket with torx-head screw and rubber friction washers. Unit manufactured to release when more than 20 lbs. of force is applied. Tension adjustment can be made by use of torx driver (available as option.)

INSTALLATION:

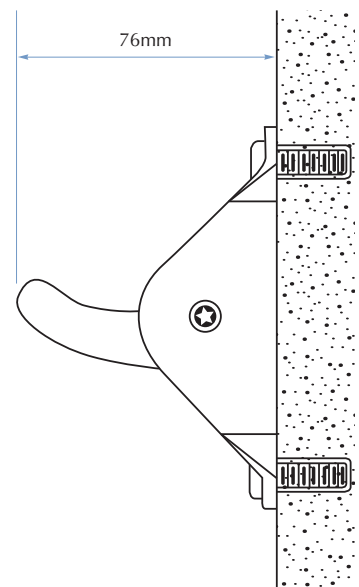
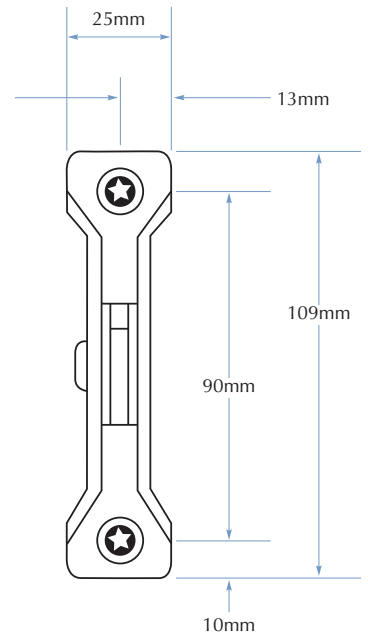
Unit supplied with 1" x 1/4"-20 torx-head screws for installation to wall anchors (not included).

GUIDE SPECIFICATION:

Wall mounted security towel hook shall be fabricated of type 304 (18-8), 11 gauge stainless steel bracket with 7 gauge stainless steel hook.

MODEL SA37

Options:
SA39 Front Mounted 4 Hook Strip



TOLL FREE 1300 364 561

The manufacturer reserves the right to make changes in design and material without formal notice and without incurring obligation.

Bradley
AUSTRALIA.COM